



NEW FORD TRANSIT CHASSIS CAB (2024)

Trend Chassis Cab

- Exterior Mirrors – Electric Powered and Heated
- Focused Quad Beam Headlights
- Daytime Running Lights
- Automatic headlights
- Front Fog Lamps
- Automatic Windshield Wiper
- Heated Windshield Defroster (Quickclear)
- Fixed Rear Window
- Driver airbag
- Driver's seat with 4 adjustments, lumbar support, and Armrest
- Dual Passenger Seat (with underneath storage) and Tray Table (Single passenger seat D/Cab 350EL with Passenger Airbag)
- 4 Rear Seats (for D/Cab)
- Automatic Air Condition
- Overhead Storage Compartment for Sunglasses
- Locking Lid Glove Box
- Header Mounted Courtesy with 2 Map Lights
- 8" Digital instrument cluster
- 12" touchscreen with SYNC 4, Bluetooth® for wireless phone connection, modem 5G FordPass Connect, AppLink, GNSS antenna (roof fin), 2 USB slots with connection capabilities, 4 speakers
- Wireless Apple CarPlay® and Android Auto™ connection
- Emergency Assistance
- Cruise Control
- Front Parking Aid Sensors
- Digital Rear View Camera
- Speed Sign Recognition
- Pre-Collision Assist #2 – Collision Assistance with Emergency Brake Assist (Emergency Brake Assist), Active Braking, pedestrian detection with proximity warning (Forward Alert)
- Lane keeping aid (with warning Lane-Keeping Alert and Lane Keeping Aid assistance)
- Mechanical Parking Brake for N2 (500) double tire
- Electric Parking Brake for N1 (350)
- Electronic Stability Control (ESC) with traction control
- Hill Launch Assist
- Anti-lock Brake System (ABS)
- Roll Stability Control (RSC)
- Dual Rear Wheels
- 16" Steel Wheels
- Conventional Steel Spare Wheel
- Stop/Start System
- Power Windows - Up/Down with one touch (drivers side only)
- Remote Central Locking
- Shielded Power Door Dead Locks

CHASSIS CAB

SINGLE CAB

DOUBLE CAB

350L3 (LWB) 2.0D EcoBlue 130PS DRWD 6-Speed Manual	€ 36,500	€ 37,500
350L4 (EF) 2.0D EcoBlue 130PS DRWD 6-Speed Manual	-	€ 38,500
350L4 (EF) 2.0D EcoBlue 165PS DRWD 6-Speed Manual	€ 38,500	€ 39,500
350L5 (ELWB) 2.0D EcoBlue 165PS DRWD 6-Speed Manual	€ 39,500	€ 40,500
500L4 EF(L4) 2.0D EcoBlue 165PS DRWD 6-Speed Manual	€ 42,900	€ 43,900

PICK-UP with Aluminium Wide Side Float

SINGLE CAB

DOUBLE CAB

350L3 (LWB) 2.0D EcoBlue 130PS DRWD 6-Speed Manual	€ 38,900	€ 39,900
350L4 (EF) 2.0D EcoBlue 130PS DRWD 6-Speed Manual	-	€ 40,900
350L4 (EF) 2.0D EcoBlue 165PS DRWD 6-Speed Manual	€ 40,900	€ 41,900
350L5 (ELWB) 2.0D EcoBlue 165PS DRWD 6-Speed Manual	€ 41,900	€ 42,900
500L4 EF(L4) 2.0D EcoBlue 165PS DRWD 6-Speed Manual	€ 44,900	€ 46,900

Additional **165PS** over 130PS

€ 1,000

Additional for Premium or Metallic Paint

€ 500

5 Years Ford Protect Warranty* & 12 Years anti corrosion-warranty

* 5 year warranty or 200.000 kilometers (whichever comes first).

- The above prices include Import Taxes, VAT 19%, Registration and Road Tax.
- Prices and equipment may change without prior notification.

Nicosia 1 Markou Drakou St., P.O. Box 24525, 1300 Nicosia Tel: 22860000, Fax: 22354182/22353596

Limassol 24 Makarios Ave., P.O. Box 541272, 3505 Limassol Tel: 25575000, Fax: 25575151

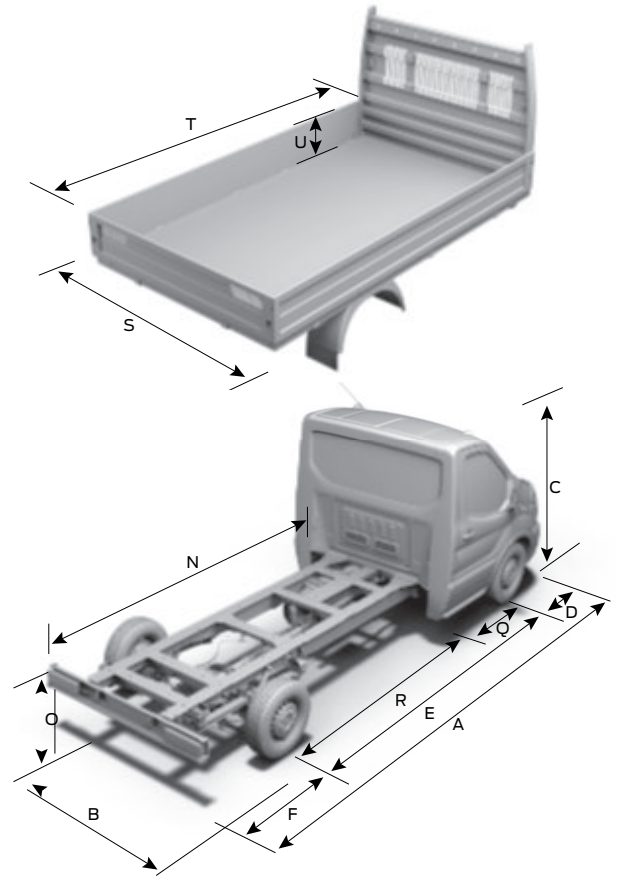
Larnaca 19 Fyliras St., P.O. 40269, 6302 Larnaca Tel: 24664670, Fax: 24650740

Paphos 31 Dimokratias Ave, 8028 Paphos Tel: 26023180, Fax: 26023181

Single Cab Dimensions (mm)

	L3 Chassis – Single Cab	L4 Chassis – Single Cab	L5 Chassis – Single Cab
	RWD/ AWD	RWD	RWD
A Overall length	6022	6579	7577
B Overall width with mirrors (standard/wide)	2474/2746	2474/2746	2474/2746
Overall width with folded back mirrors (standard/wide)	2112/2119	2112/2119	2112/2119
Overall width without mirrors (DRW)	2111	2111	2111
C Overall height (maximum)	2202	2214	2206
D Front of vehicle to front wheel centre	1023	1023	1023
E Wheelbase	3954	3954	4522
F Rear of vehicle to rear wheel centre	1045	1602	2032
N Chassis frame length	3592	4149	5147
O Floor/chassis frame height*	736/738	740/752	747/760
Q Rear of cab to front wheel centre	1407	1407	1407
R Rear of cab to rear wheel centre	2547	2547	3115
Float dimensions (mm)**			
Overall length (including float)	6204	6797	7797
Overall width (including float) without mirrors (DRW)	2198	2198	2198
Internal loadspace width (DRW)	2138	2138	2138
Internal loadspace length	3645	4235	5235
Turning circle (m)			
Kerb to kerb	14.0	14.0	15.8

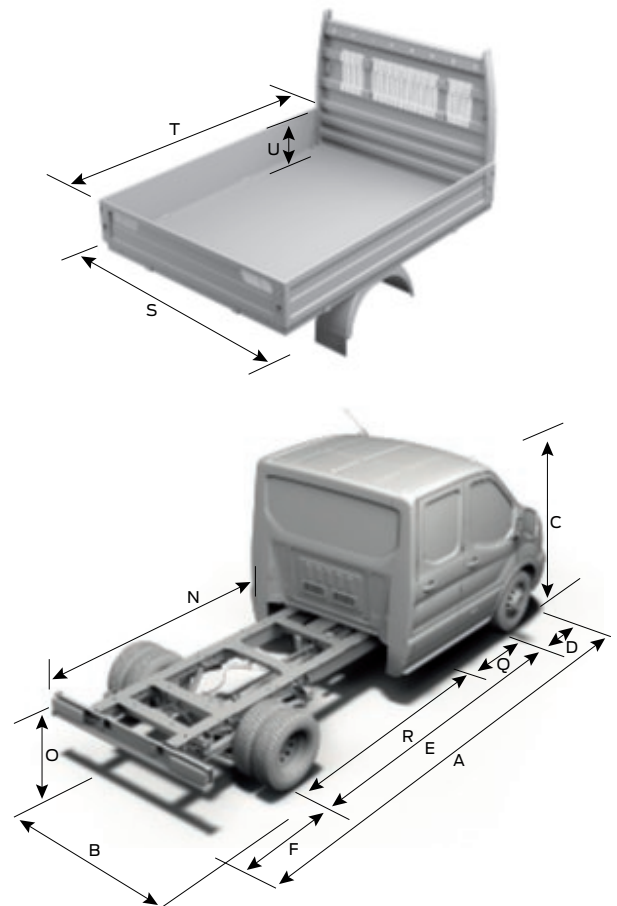
L3 = Long wheelbase, **RWD** = Rear-wheel drive, **AWD** = All-wheel drive, **DRW** = Dual rear wheel. All dimension (shown in mm) are subject to manufacturing tolerance +/- 50mm and refer to minimum models. All bodywork and equipment must be fitted in accordance with the Transit Body and Equipment Mounting Manual



Double Cab Dimensions (mm)

	L3 Chassis – Single Cab	L4 Chassis – Single Cab	L5 Chassis – Single Cab
	RWD/ AWD	RWD	RWD
A Overall length	6022	6579	7577
B Overall width with mirrors (standard/wide)	2474/2746	2474/2746	2474/2746
Overall width with folded back mirrors (standard/wide)	2112/2119	2112/2119	2112/2119
Overall width without mirrors (DRW)	2111	2111	2111
C Overall height (maximum)	2218	2220	2211
D Front of vehicle to front wheel centre	1023	1023	1023
E Wheelbase	3954	3954	4522
F Rear of vehicle to rear wheel centre	1045	1427	1849
N Chassis frame length	2777	3159	4149
O Floor/chassis frame height*	715/735	717/734	722/742
Q Rear of cab to front wheel centre	2222	2222	2222
R Rear of cab to rear wheel centre	1732	1732	2300
Float dimensions (mm)**			
Overall length (including float)	6204	6587	7612
Overall width (including float) without mirrors (DRW)	2198	2198	2198
Internal loadspace width (DRW)	2138	2138	2138
Internal loadspace length	2795	3205	4235
Turning circle (m)			
Kerb to kerb	14.0	14.0	15.8

L3 = Long wheelbase, **RWD** = Rear-wheel drive, **AWD** = All-wheel drive, **DRW** = Dual rear wheel. All dimension (shown in mm) are subject to manufacturing tolerance +/- 50mm and refer to minimum models. All bodywork and equipment must be fitted in accordance with the Transit Body and Equipment Mounting Manual



Weights and loads

	Max. gross payload (excluding driver) (kg)	Gross vehicle mass (kg)	Min. kerb mass* (excluding driver) (kg)	Front axle plated mass (kg)	Rear axle plated mass (kg)
Single Cab Chassis (3 Seats)					
RWD					
350 L2	1574-1625	3550	1925-1976	1750/1850	2150/2450
350 L3	1510-1603	3550	1948-2040	1750/1850	2250/2450
350 L4	1493-1586	3550	2114-2207	1750/1850	2250/2450
350 L5	1448-1540	3550	2010-2102	1850	2250/2450
470 L3	2565-2415	4700	2115-2135	1850	3300
470 L4	2548-2569	4700	2131-2152	1850	3100/3300
470 L5	2503-2523	4700	2177-2197	1850	3300
Double Cab Chassis (7 Seats)					
RWD					
350 L2	1412-1465	3550	2085-2138	1750/1850	2150/2450
350 L3	1390-1443	3550	2107-2160	1750/1850	2250/2450
350 L4	1373-1426	3550	2124-2177	1750/1850	2250/2450
350 L5	1317-1371	3550	2179-2233	1850	2250/2450
470 L3	2403-2426	4700	2274-2297	1850	3300
470 L4	2386-2409	4700	2291-2314	1850	3100/3300
470 L5	2330-2354	4700	2346-2370	1850	3300
Single Cab Pick-Up (3 Seats)					
RWD					
350 L2	1270-1321	3550	2229-2280	1750/1850	2150/2450
350 L3	1170-1263	3550	2287-2380	1750/1850	2250/2450
350 L4	1111-1204	3550	2346-2439	1750/1850	2250/2450
350 L5	977-1069	3550	2481-2573	1850	2250/2450
470 L3	2215-2236	4700	2464-2485	1850	3300
470 L4	2150-2171	4700	2529-2550	1850	3100/3300
470 L5	2015-2035	4700	2665-2685	1850	3300
Double Cab Pick-Up (7 Seats)					
RWD					
350 L2	1160-1213	3550	2337-2390	1750/1850	2150/2450
350 L3	1112-1165	3550	2385-2438	1750/1850	2250/2450
350 L4	1067-1120	3550	2430-2483	1750/1850	2250/2450
350 L5	940-994	3550	2556-2610	1850	2250/2450
470 L2	2173-2196	4700	2504-2527	1850	3300
470 L3	2125-2148	4700	2552-2575	1850	3300
470 L4	2080-2103	4700	2597-2620	1850	3100/3300
470 L5	1953-1977	4700	2723-2747	1850	3300

